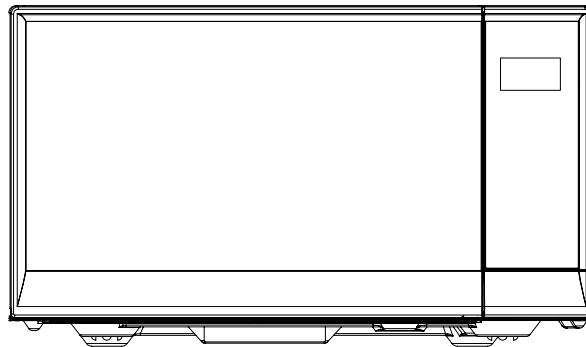




Microwave Oven Instructions



Model: OMWS23B1I

Please read these instructions carefully before installing and operating the oven.

Precautions to Avoid Possible Exposure to Excessive Microwave Energy

1. Do not attempt to operate this oven with the door open since open-door operation can result in harmful exposure to microwave energy. It is important not to defeat or tamper with the safety interlocks.
2. Do not place any object between the oven front face and the door or allow soil or cleaner residue to accumulate on sealing surfaces.
3. Do not operate the oven if it is damaged. It is very important that the oven door close properly and that there is no damage to the
 - a) Door (including any dents),
 - b) Hinges and latches (broken or loosened),
 - c) Door seals and sealing surfaces.
4. The oven should not be adjusted or repaired by anyone except qualified service personnel.

Content

PRECAUTIONS TO AVOID POSSIBLE EXPOSURE TO EXCESSIVE MICROWAVE ENERGY	1
CONTENT	1
IMPORTANT SAFETY INSTRUCTIONS	2
INSTALLATION GUIDE.....	4
GROUNDING INSTRUCTIONS	4
RADIO INTERFERENCE.....	5
BEFORE CALLING FOR SERVICE	5
COOKING TECHNIQUES.....	5
COOKING UTENSILS GUIDE	5
SPECIFICATIONS	6
PRODUCT DIAGRAM.....	7
CONTROL PANEL.....	8
OPERATION INSTRUCTIONS	9
SETTING THE CLOCK.....	9
SETTING THE TIMER.....	9
MICROWAVE COOKING	9
SPEED DEFROST	9
COOK BY WEIGHT.....	10
DEFROST BY WEIGHT	10
MULTI-STAGE COOKING.....	10
CHILD LOCK	10
AUTO COOK MENUS	11
BAKED POTATO	11
POPCORN.....	11
PIZZA	11
BEVERAGE.....	11
FROZEN DINNER	11
REHEAT.....	11
CLEANING AND CARE.....	12

Important Safety Instructions

When using electrical appliance basic safety precautions should be followed, including the following:

WARNING!--To reduce the risk of burns, electric shock, fire, injury to persons or exposure to excessive microwave energy:

1. Read all instructions before using the appliance and keep for future reference.
2. Use this appliance only for its intended use as described in the manual. Do not use corrosive chemicals or vapors in this appliance. This type of oven is specifically designed to heat, cook or dry food. It is not designed for industrial or laboratory use.
3. Do not operate the oven when empty.
4. Do not operate this appliance if it has a damaged cord or plug, if it is not working properly, or if it has been damaged or dropped. If the supply cord is damaged, it must be replaced by the manufacturer or its service agent or a similarly qualified person in order to avoid a hazard.
5. **WARNING!**--Only allow children to use the oven without supervision when adequate instructions have been given so that the child is able to use the oven in a safe way and understands the hazards of improper use.
6. To reduce the risk of fire in the oven cavity:
 - When heating food in plastic or paper container, check the oven frequently to the possibility of ignition.
 - Remove wire twist-ties from paper or plastic bags before placing bag in oven.
 - If smoke is observed, switch off or unplug the appliance and keep the door closed in order to stifle any flames.
 - Do not use the cavity for storage purposes. Do not leave paper products, cooking utensils, or food in the cavity when not in use.
 - The microwave oven is intended for heating food and beverages. Drying of clothing and heating of warming pads, slippers, sponges, damp cloth and similar may lead to risk of injury, ignition or fire.
7. **WARNING!**--Liquid or other food must not be heated in sealed containers since they are liable to explode.
8. Microwave heating of beverage can result in delayed eruptive boiling, therefore care has to be taken when handle the container.
9. Do not fry food in the oven. Hot oil can damage oven parts and utensils and even result in skin burns.
10. Eggs in their shell and whole hard-boiled eggs should not be heated in microwave ovens since they may explode even after microwave heating has ended.
11. Pierce foods with heavy skins such as potatoes, whole squashes, apples and chestnuts before cooking.
12. The contents of feeding bottles and baby jars should be stirred or shaken and the temperature should be checked before serving in order to avoid burns.
13. Cooking utensils may become hot because of heat transferred from the heated food. Potholders may be needed to handle the utensil.
14. Utensils should be checked to ensure that they are suitable for use in microwave oven.
15. **WARNING!**--It is hazardous for anyone other than a trained person to carry out any service

or repair operation which involves the removal of any cover which gives protection against exposure to microwave energy.

16. This Microwave complies with EN 55011/CISPR 11, in this standard it belong to Class B Group 2 classification. Group 2 equipment: group 2 contains all ISM RF equipment in which radio-frequency energy in the frequency range 9 kHz to 400 GHz is intentionally generated and used or only used locally, in the form of electromagnetic radiation, inductive and/or capacitive coupling, for the treatment of material, for inspection/analysis purposes, or for transfer of electromagnetic energy. Class B equipment is equipment suitable for use in locations in residential environments and in establishments directly connected to a low voltage power supply network which supplies buildings used for domestic purposes.
17. This appliance is not intended for use by persons (including children) with reduced physical, sensory or mental capabilities, or lack of experience and knowledge, unless they have been given supervision or instruction concerning use of the appliance by a person responsible for their safety.
18. Children should be supervised to ensure that they do not play with the appliance.
19. The microwave oven is only used in freestanding.
20. **WARNING!**--Do not install oven over a range cook top or other heat-producing appliance. if installed could be damaged and the warranty would be avoid .
21. The microwave oven shall not be placed in a cabinet.
22. The door or the outer surface may get hot when the appliance is operating.
23. Warning: Accessible parts may become hot during use. Young children should be kept away.
24. During use the appliances becomes hot. Care should be taken to avoid Pressing heating elements inside the oven, for cooking ranged and ovens.
25. The temperature of accessible surfaces may be high when the appliance is operating.
26. The appliance shall be placed against a wall.
27. Appliance is not to be used by children or persons with reduced physical, sensory or mental capabilities, or lack of experience and knowledge, unless they have been given supervision or instruction.
28. **WARNING!**--If the door or door seals are damaged, the oven must not be operated until it has been repaired by a competent person.
29. The instructions shall state that appliances are not intended to be operated by means of an external timer or separate remote-control system.
30. The microwave oven is for household use only and not for commercial use.
31. Never remove the distance holder in the back or on the sides, as it ensures a minimum distance from the wall for air circulation.
32. Please secure the turntable before you move the appliance to avoid damages.
33. **CAUTION!**--It is dangerous to repair or maintain the appliance by no other than a specialist because under these circumstances the cover have to be removed which assures protection against microwave radiation. This applies to changing the power cord or the lighting as well. Send the appliance in these cases to our service centre.
34. The microwave oven is intended for defrosting, cooking and steaming of food only.
35. Use gloves if you remove any heated food.
36. Caution! Steam will escape, when opening lids or wrapping foil.
37. This appliance can be used by children aged from 8 years and above and persons with

reduced physical, sensory or mental capabilities or lack of experience and knowledge if they have been given supervision or instruction concerning use of the appliance in a safe way and understand the hazards involved. Children shall not play with the appliance. Cleaning and user maintenance shall not be made by children unless they are aged from 8 years and above and supervised.

38. If smoke is emitted, switch off or unplug the appliance and keep the door closed in order to stifle any flames.

Installation Guide

1. Make sure that all the packing materials are removed from the inside of the door.
2. **WARNING!**--Check the oven for any damage, such as misaligned or bent door, damaged door seals and sealing surface, broken or loose door hinges and latches and dents inside the cavity or on the door. If there is any damage, do not operate the oven and contact qualified service personnel.
3. This microwave oven must be placed on a flat, stable surface to hold its weight and the heaviest food likely to be cooked in the oven.
4. Do not place the oven where heat, moisture, or high humidity are generated, or near combustible materials.
5. For correct operation, the oven must have sufficient airflow. Allow 20cm of space above the oven, 10cm at back and 5cm at both sides. Do not cover or block any openings on the appliance. Do not remove feet.
6. Do not operate the oven without glass tray, roller support, and shaft in their proper positions.
7. Make sure that the power supply cord is undamaged and does not run under the oven or over any hot or sharp surface.
8. The socket must be readily accessible so that it can be easily unplugged in an emergency.
9. Do not use the oven outdoors.

Grounding Instructions

This appliance must be grounded. This oven is equipped with a cord having a grounding wire with a grounding plug. It must be plugged into a wall receptacle that is properly installed and grounded. In the event of an electrical short circuit, grounding reduces risk of electric shock by providing an escape wire for the electric current. It is recommended that a separate circuit serving only the oven be provided. Using a high voltage is dangerous and may result in a fire or other accident causing oven damage.

WARNING!--Improper use of the grounding plug can result in a risk of electric shock.

Note:

1. If you have any questions about the grounding or electrical instructions, consult a qualified electrician or service person.
2. Neither the manufacturer nor the dealer can accept any liability for damage to the oven or personal injury resulting from failure to observe the electrical connection procedures.

The wires in this cable main are colored in accordance with the following code:

Green and Yellow = EARTH

Blue = NEUTRAL

Brown = LIVE

Radio Interference

Operation of the microwave oven can cause interference to your radio, TV, or similar equipment. When there is interference, it may be reduced or eliminated by taking the following measures:

1. Clean door and sealing surface of the oven.
2. Reorient the receiving antenna of radio or television.
3. Relocate the microwave oven with respect to the receiver.
4. Move the microwave oven away from the receiver.
5. Plug the microwave oven into a different outlet so that microwave oven and receiver are on different branch circuits.

Before Calling For Service

Before asking for service, please check each item below:

- Check to ensure the oven is plugged in securely. If not, remove the plug from the outlet, wait 10 seconds, and plug it in again securely.
- Check for a blown circuit fuse or a tripped main circuit breaker. If these seem to be operating properly, test the outlet with another appliance.
- Check to ensure the control panel is programmed correctly and the timer is set.
- Check to ensure the door is securely closed, engaging the door lock system. If the door is not properly closed, the microwave energy will not flow inside.

IF NONE OF THE ABOVE RECTIFIES THE SITUATION, THEN CONTACT A QUALIFIED TECHNICIAN. DO NOT TRY TO ADJUST OR REPAIR THE OVEN YOURSELF.

Cooking Techniques

1. Arrange food carefully. Place thickest areas towards outside of dish.
2. Watch cooking time. Cook for the shortest amount of time indicated and add more as needed. Food severely overcooked can smoke or ignite.
3. Cover foods while cooking. Covers prevent spattering and help foods to cook evenly.
4. Turn foods over once during microwave cooking to speed cooking of such foods as chicken and hamburgers. Large items like roasts must be turned over at least once.
5. Rearrange foods such as meatballs halfway through cooking both from top to bottom and from the center of the dish to the outside.

Cooking Utensils Guide

1. Microwave cannot penetrate metal. Only use utensils that are suitable for use in microwave

ovens. Metallic containers for food and beverages are not allowed during microwave cooking. This requirement is not applicable if the manufacturer specifies size and shape of metallic containers suitable for microwave cooking.

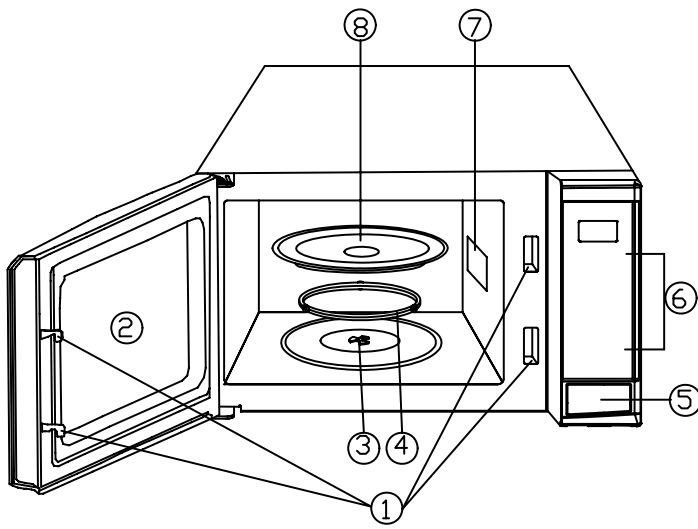
2. Microwave cannot penetrate metal, so metal utensils or dishes with metallic trim should not be used.
3. Do not use recycled paper products when microwave cooking, as they may contain small metal fragments which may cause sparks and/or fires.
4. Round /oval dishes rather than square/oblong ones are recommend, as food in corners tends to overcook.
5. Narrow strips of aluminum foil may be used to prevent overcooking of exposed areas. But be careful don't use too much and keep a distance of 1 inch (2.54cm) between foil and cavity. The list below is a general guide to help you select the correct utensils.

Cookware	Microwave Cooking
Heat-Resistant Glass	Yes
Non Heat-Resistant Glass	No
Heat-Resistant Ceramics	Yes
Microwave-Safe Plastic Dish	Yes
Kitchen Paper	Yes
Metal Tray	No
Metal Rack	No
Aluminum Foil & Foil Containers	No

Specifications

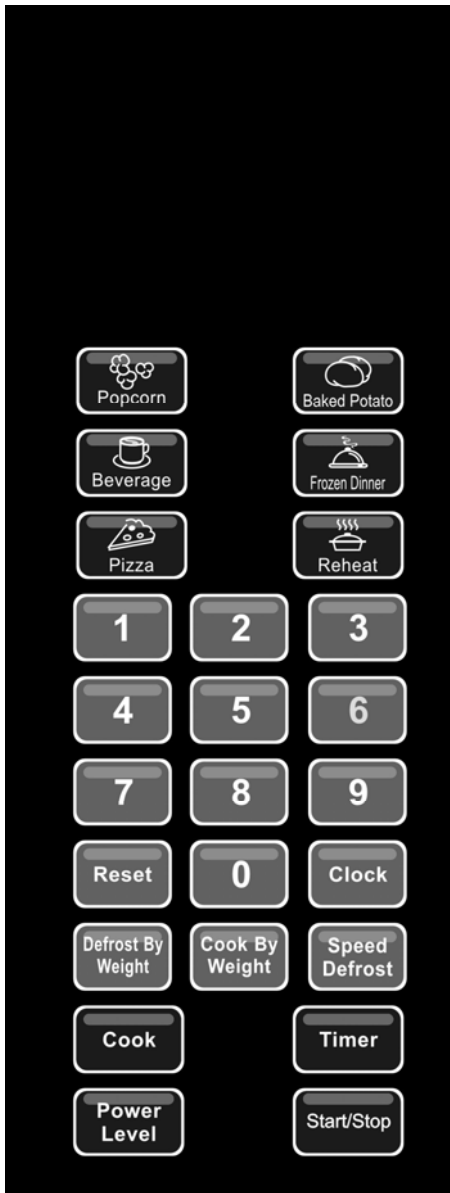
Power Consumption	230-240V/50Hz, 1400W(microwave)
Output	900W
Operation Frequency	2450MHz
Outside Dimensions	281mm(H)×483mm(W)×355mm(D)
Oven Cavity Dimensions	220mm(H)×340mm(W)×320mm(D)
Oven Capacity	Compact 23Litres
Net Weight	Approx.13kg

Product Diagram



1. Door Safety Lock System
2. Oven Window
3. Shaft
4. Roller Ring
5. Door Release Button
6. Control Panel
7. Wave Guide (Please do not remove the mica plate covering the wave guide)
8. Glass Tray

Control Panel



- **DISPLAY**

Cooking time, power, indicators and clock time are displayed.

- **AUTO COOK MENUS**

Instant settings to cook popular foods.

- **NUMBER PADS(0-9)**

Press to set times or weights.

- **RESET**

Touch to set child lock and clear all previous settings.

- **CLOCK**

Touch to set current time.

- **DEFROST BY WEIGHT**

Press to defrost food based on weight entered.

- **COOK BY WEIGHT**

Press to cook food based on weight entered.

- **SPEED DEFROST**

Press to defrost food based on time entered.

- **COOK**

Use to set multi-stage program.

- **TIMER**

Press to set timer function.


- **POWER LEVEL**

Use to set microwave power level.

- **START/STOP**

Press to stop or cancel a cooking program.

Operation Instructions

- When the oven first plugged in, beep will sound and the display will show "1:00" and "".
- During cooking, if press START/STOP pad once, the program will be paused, and then press RESET pad to cancel the program.
- After ending cooking, the screen will display End with sound every two minute until user press any pad or open the door.
- In the process of operation, press a valid button, the buzzer rings once, but if press a invalid button, the buzzer rings twice.

SETTING THE CLOCK

This is a 12 or 24 hour clock. You can choose it by pressing CLOCK pad once or twice.

1. Press CLOCK pad once or twice to select 12 or 24 hour clock.
2. Press the number pads to enter cooking time.
3. Press CLOCK pad to confirm.

NOTE: During cooking, you can check the current time of the clock by pressing CLOCK pad.

SETTING THE TIMER

1. In standby mode or during cooking, press TIMER pad once.
2. Press the number pads to enter timer time. The longest time is 99 minutes and 99 seconds.
3. Press START/STOP pad to confirm.

NOTE: During countdown process, the timer time will display for 5 seconds by Pressing TIMER pad, and then press RESET pad within 5 seconds to cancel the program.

MICROWAVE COOKING

1. Use the number pads to set a cooking time. You can set a cooking time from one second to 99 minutes and 99 seconds.
2. If you want to set a power level other than 100% power, Press POWER LEVEL pad once, and then use the number pads to enter the power level.
3. Press START/STOP pad to confirm.

Use the number pads to set a cooking power level:

Press number pads	Cooking Power	Press number pads	Cooking Power
1、0	100%	4	40%
9	90%	3	30%
8	80%	2	20%
7	70%	1	10%
6	60%	0	0%
5	50%		

NOTE: During cooking you can check the power level by Pressing POWER LEVEL pad.

SPEED DEFROST

The defrosting power is adjusted automatically once the cooking time is programmed.

1. Press SPEED DEFROST pad once.
2. Use the number pads to enter defrosting time. The longest time is 99 minutes 99 seconds.
3. Press START/STOP pad to confirm.

NOTE: During defrosting program, the system will pause and sound beeps to remind user to turn food

over.

COOK BY WEIGHT

1. Press COOK BY WEIGHT pad once.
2. Enter the one digit code by Pressing the correct number pad (1~3).
3. Use number pads enter food of weight.
4. Press START/STOP pad to confirm.

Cook By Weight Code Description

CODE	TYPE	MAX WEIGHT
1	Beef	2700g
2	Mutton	2700g
3	Pork	2300g

NOTE: During cooking, the system will pause and sound beeps to remind user to turn food over, after that Press START/STOP to resume cooking.

DEFROST BY WEIGHT

The time and the defrosting power are adjusted automatically once the weight is programmed.

1. Press DEFROST BY WEIGHT pad once.
1. Press the number pads to enter the food of weight or shares. The maximum food weight is 2700g.
2. Press START/STOP pad to confirm..

NOTE: During defrosting program, the system will pause and sound to remind you to turn over the food, after that, press START/STOP to resume.

MULTI-STAGE COOKING

Your oven can be programmed for up to 2 automatic cooking sequences.

Suppose you want to set the following cooking program.

Microwave cooking



Microwave cooking (with lower power level)

1. In standby mode, input the first stage of microwave cooking program.
2. Press COOK pad once.
3. Input the second stage of microwave cooking program.
4. Press START/STOP pad to start.

CHILD LOCK

Use to prevent unsupervised operation of the oven by children.

To set the child proof lock: In standby mode, press and hold RESET pad for 3 seconds, then a beep will sound, the oven will auto enter child lock mode and the lock indicator light will turn on. In the lock state, all buttons are disabled.

To cancel the child proof lock: Press and hold RESET pad for 3 seconds, then a beep will sound and the indicator light will come off.

Auto Cook Menus

The Auto Cook Menus allow you to cook or reheat food automatically without entering power level or time. For smaller portions, simply Press the applicable pad and start. For larger portions, push the pad twice. FROZEN DINNER, BAKED POTATO and BEVERAGE allow you to cook multiple amounts of the same food.

BAKED POTATO

For potatoes (110-170g/share):

1. Press BAKED POTATO pad once.
2. Enter number of potatoes by Pressing number pads from 1 to 4.
3. Press START/STOP pad to confirm.

For larger potatoes (230-280g/share):

1. Press BAKED POTATO pad twice.
2. Enter number of potatoes by Pressing number pads from 1 to 4.
3. Press START/STOP pad to confirm.

POPCORN

1. Press POPCORN pad once.
POPCORN automatically sets the cooking time for a 99g bag of microwave popcorn.
2. Press START/STOP pad to confirm.

NOTE: To change the preset POPCORN time: Press POPCORN twice. Press number pads to enter minutes and seconds. Press START/STOP. The longest cooking time is 99 minutes and 99 seconds. This new cooking time will be set as the default one until you change it or next power on.

PIZZA

Reheating a slice of pizza(150g):

1. Press PIZZA pad once.
2. Press START/STOP pad to confirm.

Heating a whole frozen pizza(450g):

1. Press PIZZA pad twice.
2. Press START/STOP pad to confirm.

BEVERAGE

For cups (140-200ml/share):

1. Press BEVERAGE pad once.
2. Enter number of cups by Pressing number pads from 1 to 4.
3. Press START/STOP pad to confirm.

For larger coffee mugs (260-310ml/share):

1. Press BEVERAGE pad twice.
2. Enter number of mugs by Pressing number pads from 1 to 4.
3. Press START/STOP pad to confirm.

FROZEN DINNER

For one or two small (198-255g/share) frozen dinners:

1. Press FROZEN DINNER pad once.
2. For 1 entree, Press the number pad "1". For 2 entrees, Press the number pad "2".
3. Press START/STOP to confirm.

Microwaving one larger (280-340g/share) frozen dinner:

1. Press FROZEN DINNER pad twice.
2. For 1 entree, Press the number pad "1". For 2 entrees, Press the number pad "2".
3. Press START/STOP pad to confirm.

REHEAT

To reheat a plate of leftover(340-500g):

1. Press REHEAT pad once.
2. Press START/STOP pad to confirm.

Cleaning and Care

1. Turn off the oven and unplug the power cord from the wall when cleaning.
2. Keep the inside of the oven clean. When food splatters or spilled liquids adhere to oven walls, wipe with a damp cloth. Mild detergents may be used if the oven gets very dirty. Avoid using spray or other harsh cleaners. They may stain, streak or dull the door surface.
3. The outside of the oven should be cleaned with a damp cloth. To prevent damage to the operating parts inside the oven, water should not be allowed to seep into the ventilation openings.
4. Wipe the door and window on both sides, the door seals and adjacent parts frequently with a damp cloth to remove any spills or spatters. Do not use abrasive cleaner.
5. A steam cleaner is not be used.
6. Do not allow the control panel to become wet. Clean with a soft, damp cloth. When cleaning the control panel, leave oven door open to prevent oven from accidentally turning on.
7. If steam accumulates inside or around the outside of the oven door, wipe with a soft cloth. This may occur when the microwave oven is operated under high humidity condition. And it is normal.
8. It is occasionally necessary to remove the glass tray for cleaning. Wash the tray in warm sudsy water or in a dishwasher.
9. The roller ring and oven floor should be cleaned regularly to avoid excessive noise. Simply wipe the bottom surface of the oven with mild detergent. The roller ring may be washed in mild, soapy water or in a dishwasher. When removing the roller ring, be sure to replace it in the proper position.
10. Remove odors from your oven by combining a cup of water with the juice and skin of one lemon in a microwaveable bowl. Microwave for 5 minutes. Wipe thoroughly and dry with a soft cloth.
11. If the light bulb burns out, please contact customer service to have it replaced.
12. The oven should be cleaned regularly and any food deposits should be removed. Failure to maintain the oven in a clean condition could lead to deterioration of surface that could adversely affect the life of the unit and could possibly result in a hazardous situation.
13. Please do not dispose of this appliance into the domestic rubbish bin; it should be disposed to the particular disposal center provided by the municipalities.